

6

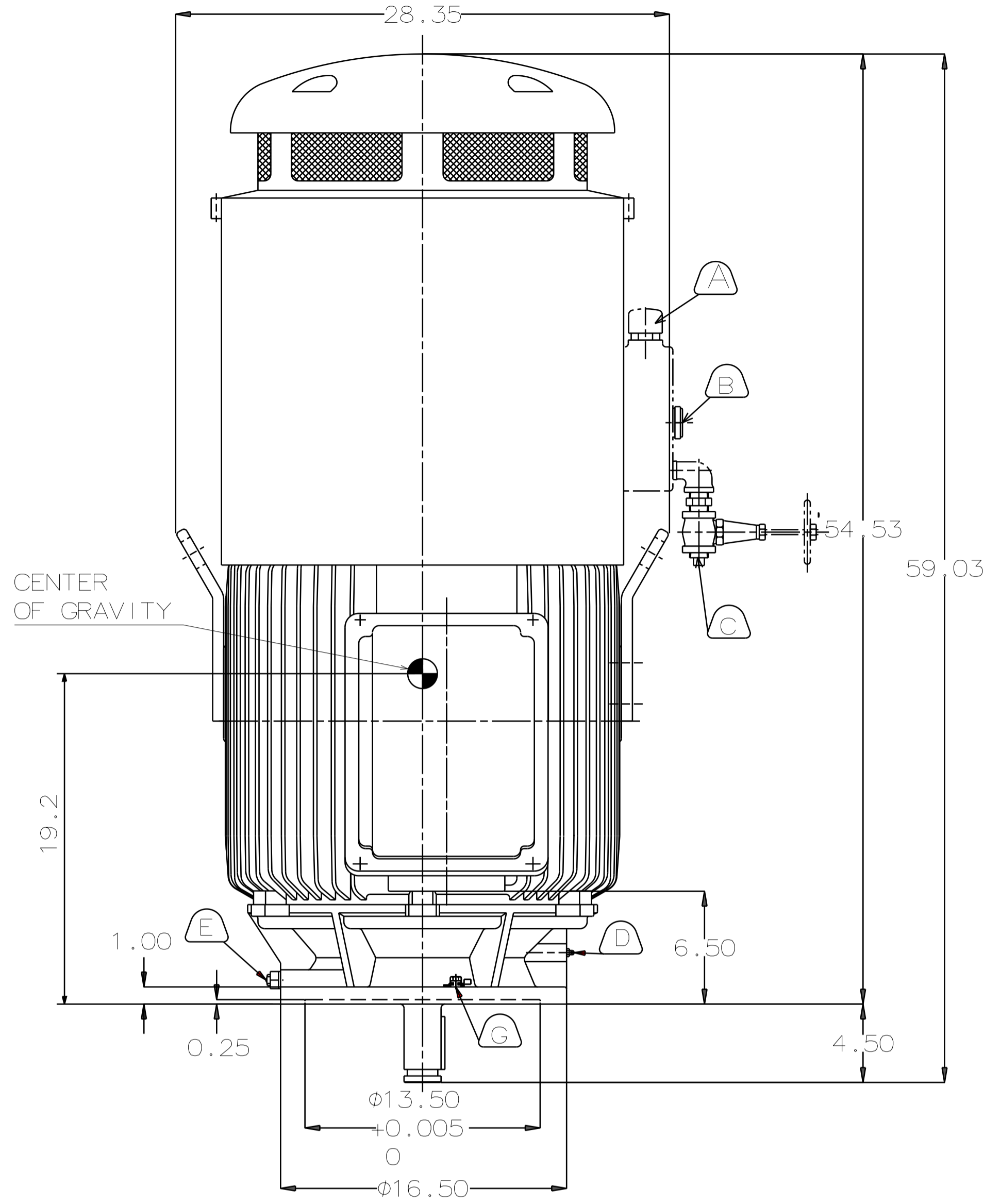
5

4

3

2

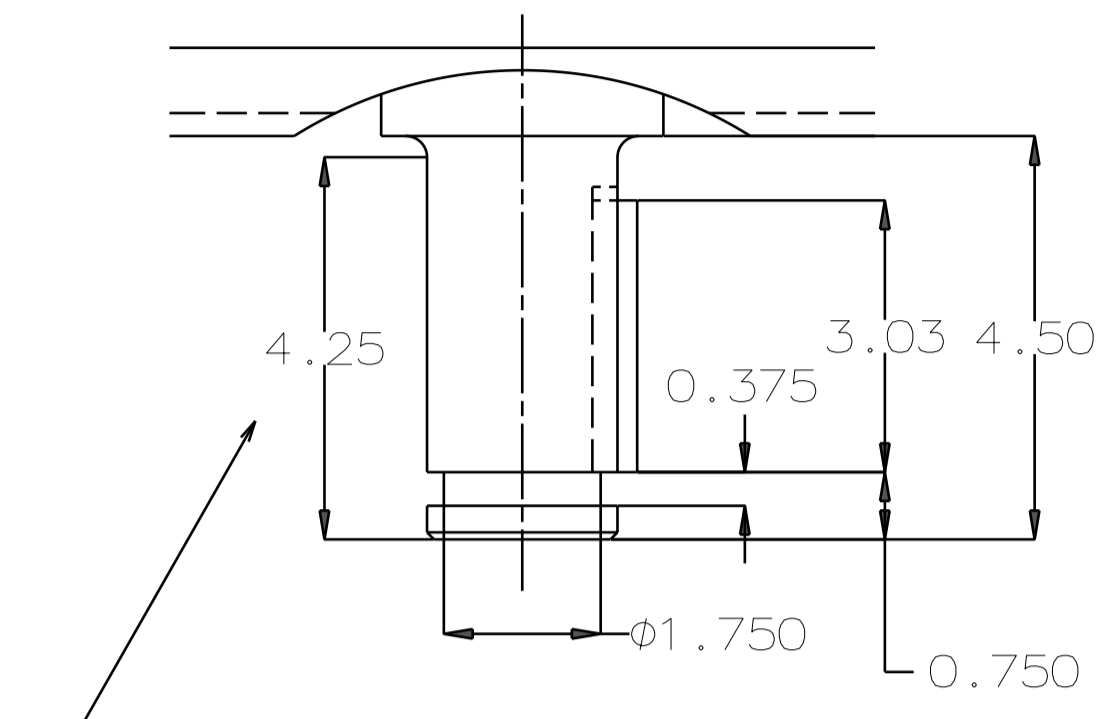
1



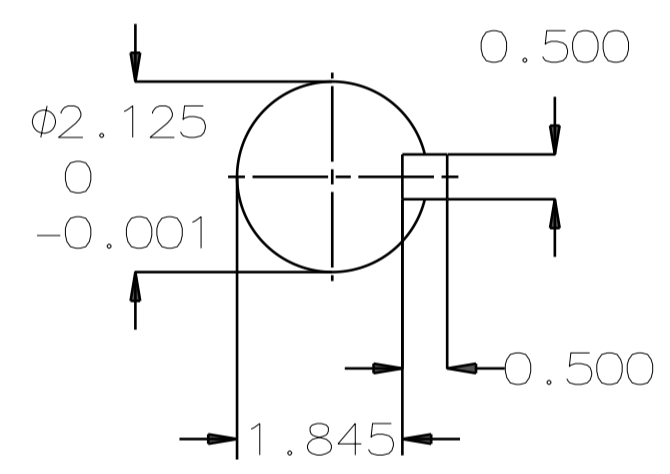
TYPE	OUTPUT		POLE	TIME RATING	VOLTAGE V	Hz	SYN. SPEED R.P.M
	HP.	kW.					
AEEHED	150	1.12	4	CONT	460	60	1800

TOTALLY ENCLOSED FAN-COOLED VERTICAL SOLID SHAFT TYPE, SQUIRREL CAGE ROTOR

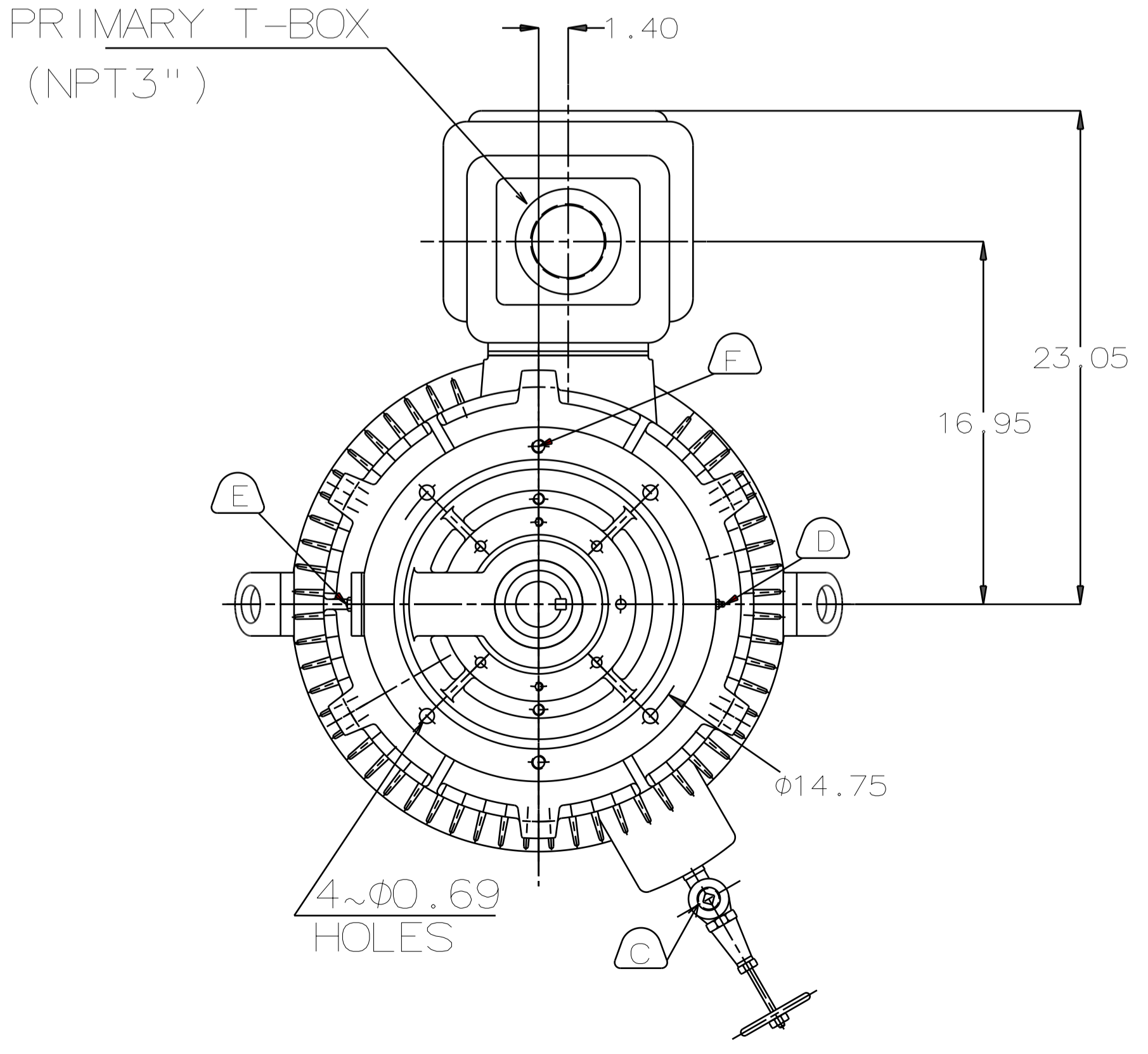
- NOTE:
1. DIMENSIONS IN INCH
  2. FRAME NO.445VP
  3. F CLASS INSULATION, S.F.: 1.15
  4. FOR DIRECT COUPLING.
  5. BEARING SIZE:  
UPPER BEARING: 7324B (UNINSULATED)  
LOWER BEARING: 6316C3 (UNINSULATED)
  6. LUBRICATION:  
UPPER BEARING USE OIL.  
OIL VISCOSITY: ISO VG68 [300SSU AT 100°F]  
OIL QUANTITY: 2.6 GAL.  
LOWER BEARING USE GREASE. (MOBIL POLYREX EM)
  7. ROTATION: COUNTER-CLOCKWISE [VIEW FROM TOP].
  8. WITH NON-REVERSE RATCHET MECHANISM.
  9. APPROXIMATE WEIGHT: 2090
  10. REED FREQUENCY: 40 HZ
  11. DOWNTHRUST: 8,800 LBS (L10-8800HRS)
  12. SPACE HEATER RATED AT 120 VOLT, SINGLE PHASE, 109 WATTS, LEADS TERMINATE IN MAIN LEAD BOX.



USABLE SHAFT LENGTH



SHAFT END [ENLARGED VIEW]



- (A) OIL FILLER [UPPER BEARING]
- (B) OIL GAUGE [UPPER BEARING]
- (C) OIL DRAIN [UPPER BEARING]
- (D) GREASE INLET [LOWER BEARING]
- (E) GREASE DISCHARGER [LOWER BEARING]
- (F) 2~M16 VERTICAL JACKING HOLES 180° APART IN MOTOR BASE.
- (G) M10 TAPPED HOLE IN MOTOR BASE WITH GROUNDING TERMINAL [R38-10] & BOLT LOCATED AS SHOWN.

DATE		DEC 08 2016		OUTLINE DIMENSIONS	
VSTP1504		3-PHASE INDUCTION MOTOR		DWG NO. REV:00	
TECO Westinghouse		4B040L252			

DWN.	C.FU	APR.29.2015
CHKD.	R.LEE	APR.29.2015
APPD.	C.LIU	APR.29.2015

6

5

4

3

2

1